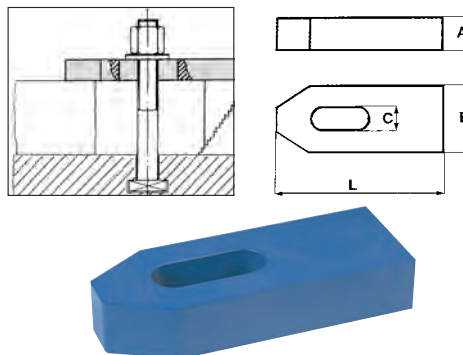


In special tempered steel - Painted finished

Straight type

DIN 6314

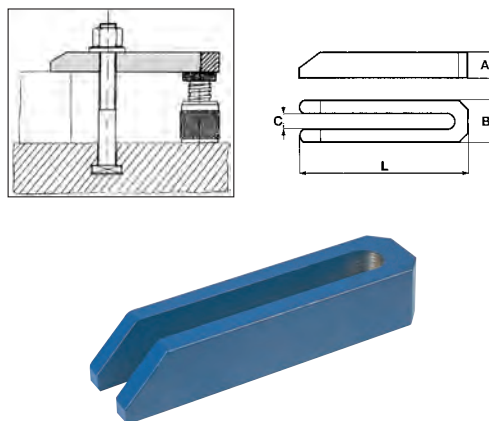
For threaded screws (C) M	8	10	12-14		16-18		20-22		24		
Code	G 3748 ... 1008	1010	1012	1014	1016	1018	1020	1022	1023	1024	
G 3748/1	Each €										
Length L	mm	60	80	100	125	125	160	160	200	200	250
Width B	mm	25	30	40	40	50	50	60	60	70	70
Height A	mm	12	15	20	20	25	25	30	30	30	30
Weight	kg	0,1	0,2	0,5	0,6	1	1,2	1,8	2,3	2,6	3,3



Fork type with bevel

DIN 6315 B

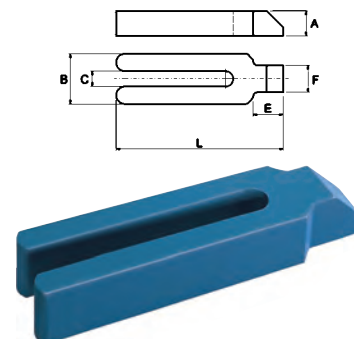
For threaded screws (C) M	10	12-14				16-18		
Code	G 3748 ... 2010	2011	2012	2013	2016	2017	2018	
G 3748/2	Each €							
Length L	mm	100	125	160	200	160	200	250
Width B	mm	30	40	40	40	50	50	50
Height A	mm	20	25	25	25	30	30	40
Weight	kg	0,3	0,6	0,8	1	1,2	1,4	2,3
For threaded screws (C) M	20-22	24						
Code	G 3748 ... 2020	2021	2022	2023	2024	2025		
G 3748/2	Each €							
Length L	mm	200	250	315	200	250	315	
Width B	mm	50	60	60	70	70	70	
Height A	mm	40	40	40	40	40	40	
Weight	kg	1,7	2,9	3,5	2,7	3,4	4,2	



Fork type with nose

DIN 6315 GN

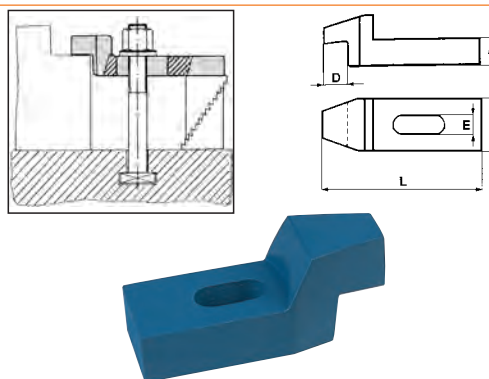
For threaded screws (C) M	10	12-14		16-18	20-22
Code	G 3748 3010	G 3748 3012	G 3748 3016	G 3748 3020	
G 3748/3	Each €				
Length L	mm	125	160	200	250
Width B	mm	30	40	50	60
Height A	mm	20	25	30	40
Dim. ExF	mm	24x20	30x25	36x28	45x35
Weight	kg	0,4	0,8	1,4	2,8



Elbow type

DIN 6316

For threaded screws (C) M	12-14	16-18		20-22		24		
Code	G 3748 ... 5012	5016	5017	5020	5021	5023	5024	
G 3748/5	Each €							
Length L	mm	125	125	160	160	200	200	250
Width B	mm	40	50	50	60	60	70	70
Height A	mm	20	25	25	30	30	35	35
Dimension D	mm	20	25	25	30	30	35	35
Weight	kg	0,8	1,5	1,8	2,2	2,7	3,7	4,6



Straight type with adjustment screw and beveled end - DIN 6314 V

Fine-pitch screw

For threaded screws (C) M	10	12-14		16-18	20-22
Code	G 3748 6010	G 3748 6012	G 3748 6016	G 3748 6020	
G 3748/6	Each €				
Screw Ø	M	10	12	16	20
Adjust. height h	mm	8-28	15-50	15-50	15-60
Length L	mm	80	100	125	160
Width B	mm	30	40	50	60
Height A	mm	15	20	25	30
Weight	kg	0,2	0,5	0,9	1,7

